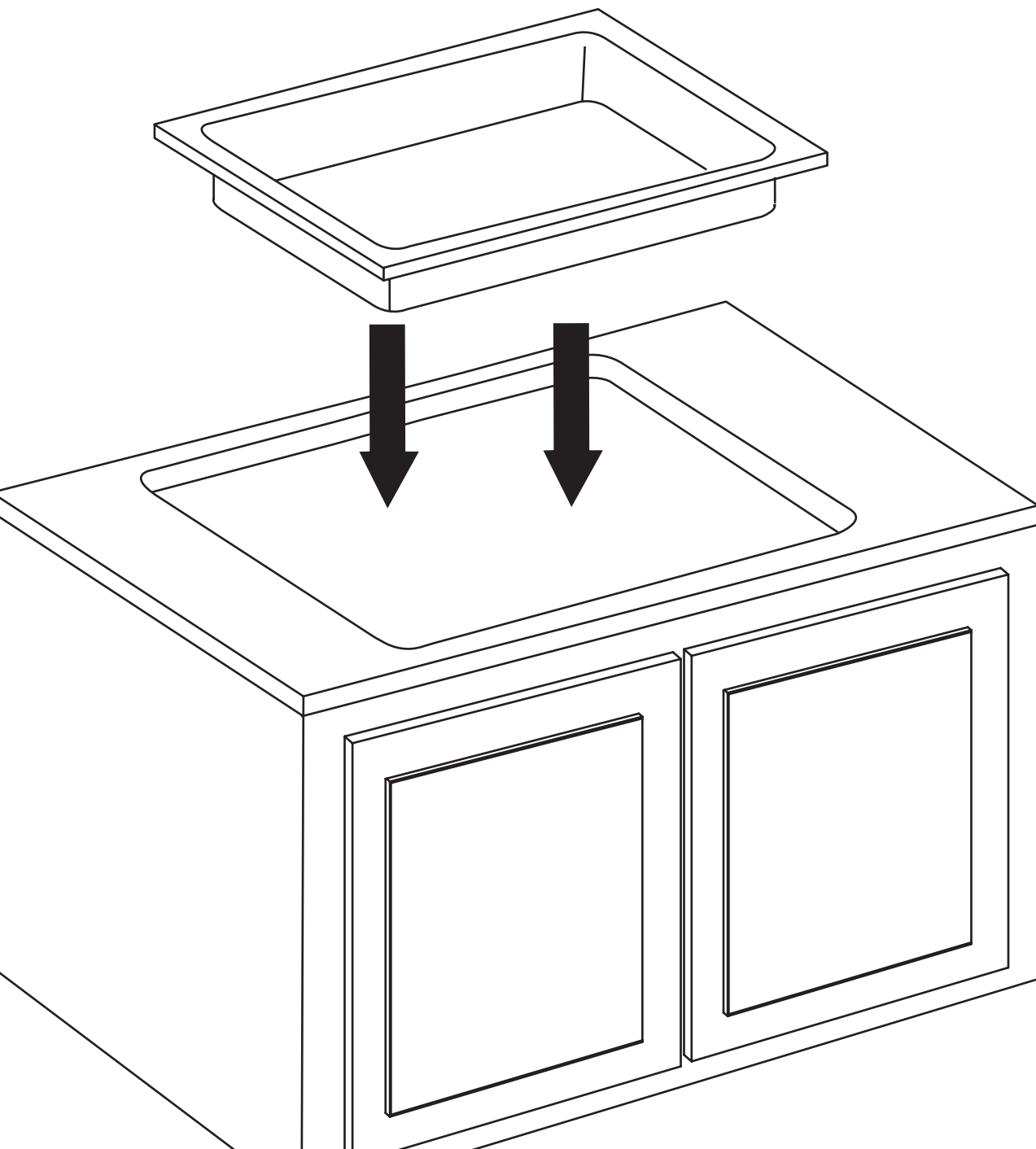


IPT Sink Company

INSTALLATION INSTRUCTIONS QUARTZ KITCHEN SINK



**CAUTION:**

Risk of personal injury or product damage. Handle with care.
Product can break, chip, cause injury or product damage.

WARNING:

This product can expose you to chemicals, including lead, which is known to the state of California to cause cancer and birth defects or other reproductive harm.

For more information go to p65warnings.ca.gov

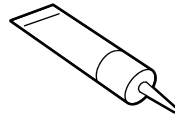
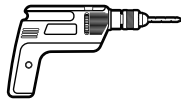
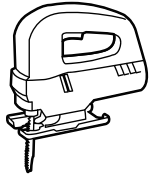
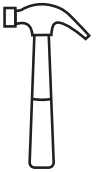
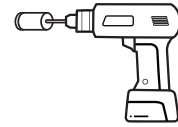
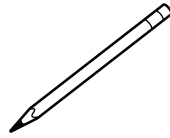
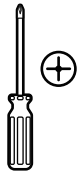
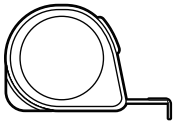
IMPORTANT INFORMATION

- Read these instructions carefully before you begin this installation.
- Observe all applicable local plumbing and building codes.
- IPT Sink Company recommends all sinks are installed by experienced and professional installers. To ensure safety and damage-free installation, this sink should be installed by two people. IPT Sink Company reserves the right to revise the design of products without notice.

BEFORE YOU BEGIN

- IPT Sink Company recommends that all quartz sinks be installed by an experienced, professional installer.
- Carefully review complete instructions before beginning installation. These instructions are for installation with solid surface and composite material countertops.
- **IMPORTANT:** *The cabinet must be installed, secured, plumb, and level. Failure of this step can lead to product damage.*
- IPT Sink Company quartz sinks should only be fastened to a solid surface countertop (i.e. granite, Corian® or Silestone®).
- IPT Sink Company is not responsible for sink or countertop if damaged during installation. Be sure to inspect the sink for damage prior to beginning installation.
- Edges may be sharp – use caution when handling.
- Follow all local plumbing and building codes.

RECOMMENDED TOOLS

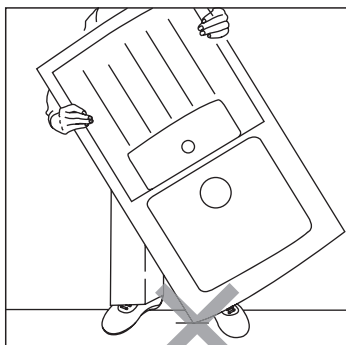


- Tape Measure
- Safety Glasses
- Painter's Tape
- Level
- Ear Protection
- Hacksaw/Jigsaw
- Pencil (Not permanent marker)
- Shims or Cabinet Fillers
- Denatured Alcohol
- Clamps
- Construction Adhesive
- Silicone Adhesive Sealant
- Support Framing Material (1 1/4" (32mm) Max Thickness)
- Screws (recommended by countertop manufacturer)
- Holesaw
- File
- Hammer

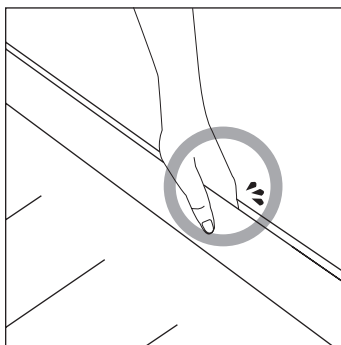
QUARTZ SINK INSTALLATION INSTRUCTIONS

HANDLING

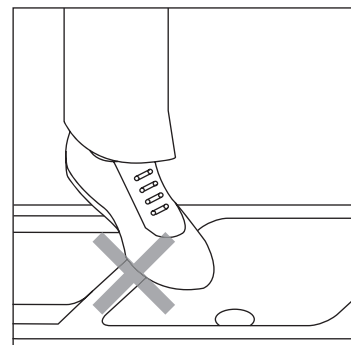
- Be sure to wear personal safety devices such as safety goggles at all times.



- Do not apply force to the corners



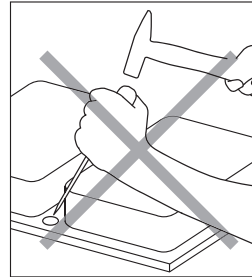
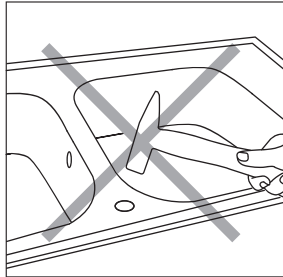
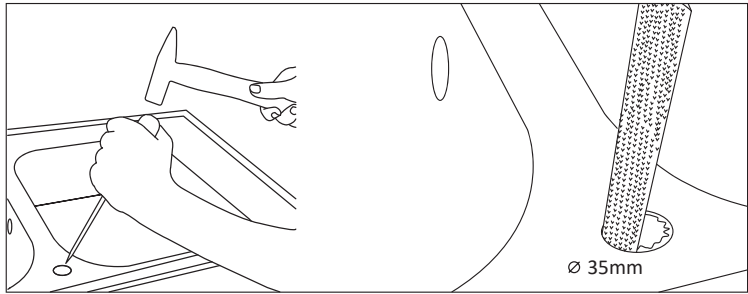
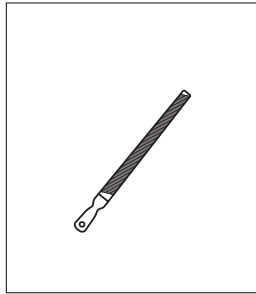
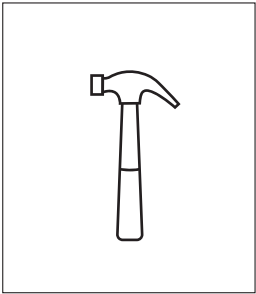
- Watch your hands



- Do not stand on the sink

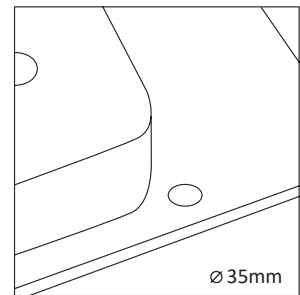
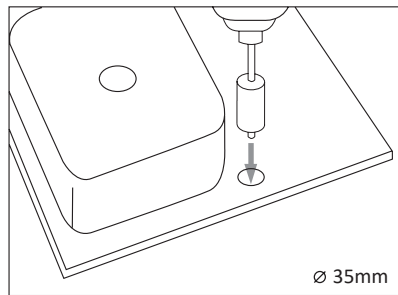
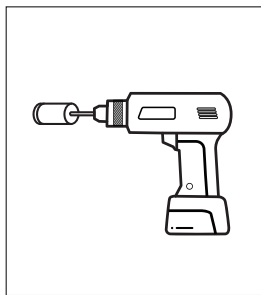
HOLE ADDITIONS

- Faucet holes are predrilled from the bottom and marked yellow on top ledge.
- Tap the yellow marker onlt from the top.
- Drill the faucet holes.
Method 1: Use a file tool and center it in the middle of the hole and then hit it with the hammer.
Method 2: Use a holesaw (diameter 35mm) to drill the hole.

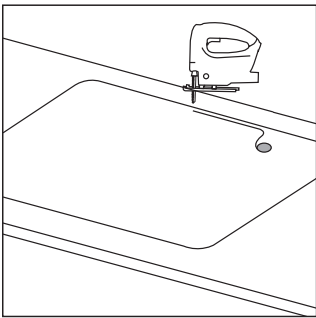


• Do Not hit with the hammer directly

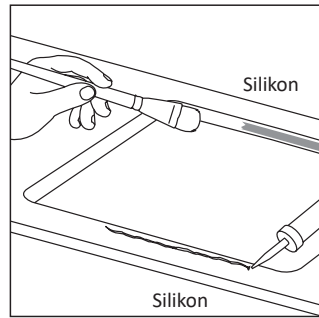
• Do Not hit from the bottom of the sink



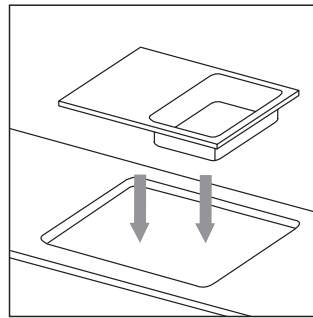
TOPMOUNT/DROP-IN INSTALLATION



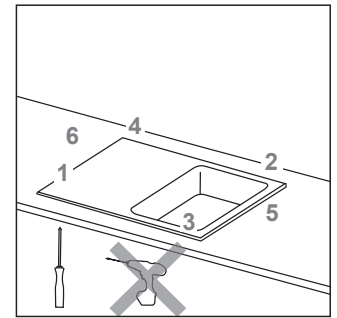
- Using paper template and physical sink to draw the cutout outline.



- Apply silicone along the edge and cutting section. (We suggest using brush to apply silicone to the cutting section.)

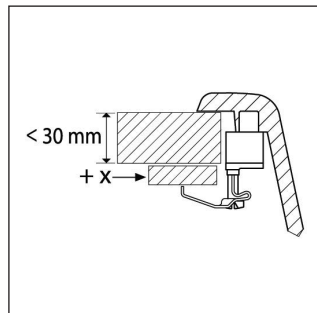
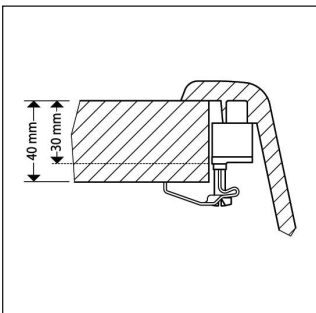
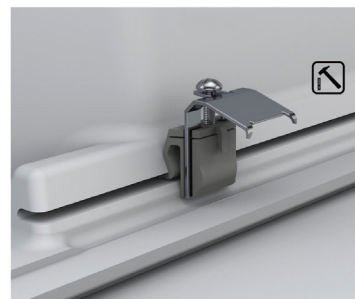
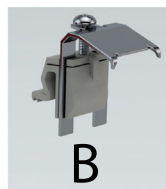
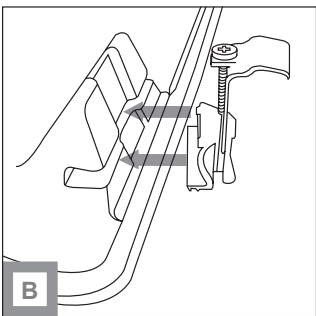
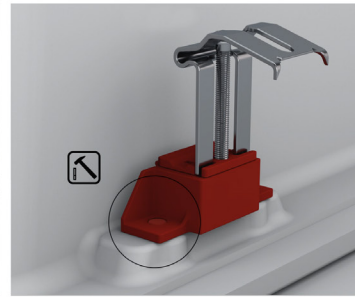
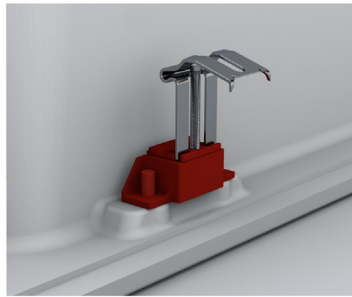
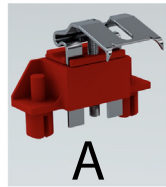
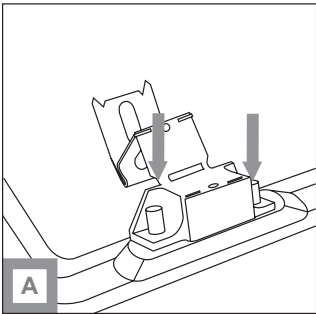


- Place the sink and check for level.



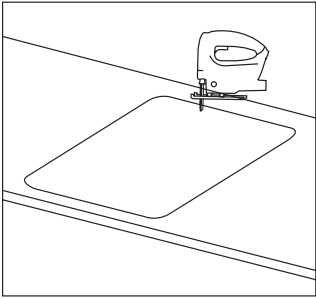
- Use screwdriver to secure the sink

TOPMOUNT/DROP-IN INSTALLATION

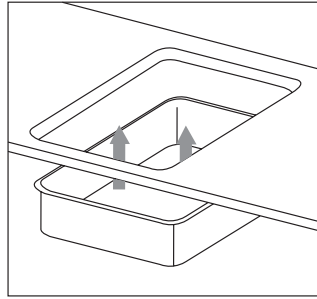


- Check your sink clips type.
- Type A or Type B.
- Please note that the mounting clips fit for the countertop depth from 30mm/1.18in to 40mm/1.57in. (If the countertop depth is smaller than 30mm/1.18in, please add a piece to make up to appropriate depth.)
- Mounting and fastening clips.

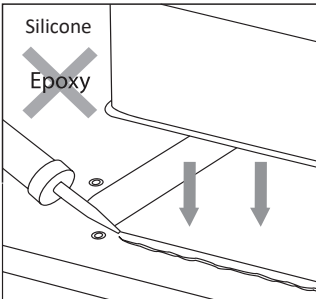
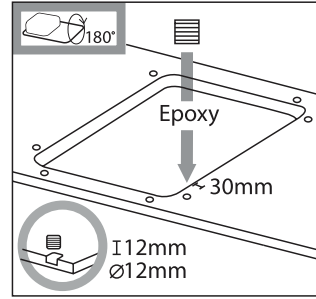
UNDERMOUNT INSTALLATION



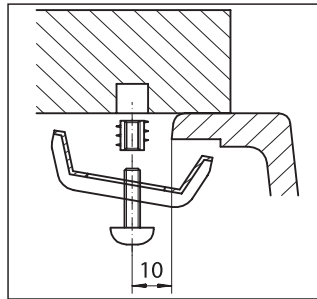
- Use paper template and physical sink to draw the cutout outline.



- Apply silicone along the cutting edge.



- Apply silicon along the sink edge. DO NOT use Epoxy.



- Secure the clips.