



Single Bowl Kitchen Sink



Single Bowl Kitchen Sink



50/50 Double Bowl Kitchen Sink



60/40 Double Bowl Kitchen Sink

Before You Start

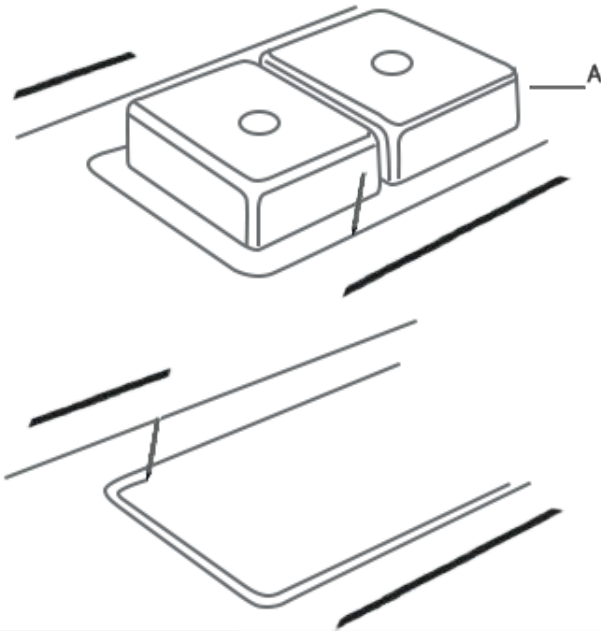
- IPT Sink Company recommends that all top mount sinks be installed by an experienced, professional installer.
- **IMPORTANT:** The cabinet must be installed, secured, plumb, and level. Failure of this step can lead to product damage.
- IPT Sink Company top mount sinks should only be fastened to a solid surface countertop (i.e. granite, Corian® or Silestone®).
- IPT Sink Company is not responsible for sink or countertop if damaged during installation. Be sure to inspect the sink for damage prior to beginning installation.
- Metal edges may be sharp – use caution when handling.
- Follow all local plumbing and building codes.

Recommended Tools & Materials (Not Included)

- | | |
|--|--|
| <input type="checkbox"/> Tape Measure | <input type="checkbox"/> Shims or Cabinet Fillers |
| <input type="checkbox"/> Safety Glasses | <input type="checkbox"/> Denatured Alcohol |
| <input type="checkbox"/> Painter's Tape | <input type="checkbox"/> Clamps |
| <input type="checkbox"/> Level | <input type="checkbox"/> Construction Adhesive |
| <input type="checkbox"/> Framing Square | <input type="checkbox"/> Silicone Sealant |
| <input type="checkbox"/> Pencil (not permanent marker) | <input type="checkbox"/> Screws (recommended by countertop manufacturer) |

1 PREPARING THE COUNTERTOP

- Position the sink (A) upside down on the countertop.
- Trace completely around the edge of the sink (A).
- Draw a line 5/16" inside of the outline of the sink.

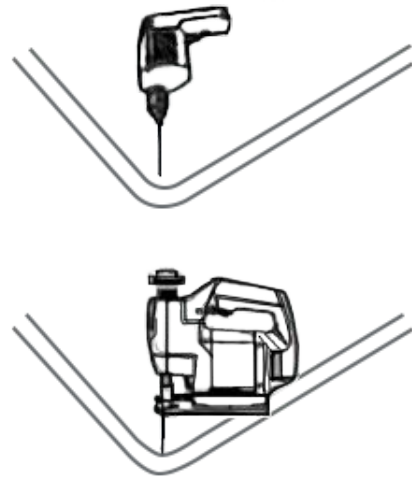


2 CUTTING THE COUNTER



WARNING: Always wear safety goggles and gloves when using power tools to prevent personal injury.

- Drill a pilot hole in all four corners of the inside line.
- Use a saber saw or jig saw to cut on the inside line.
- Place a support underneath the cutout portion of the countertop to prevent it from falling during cutting.



3 INSTALLING THE SINK

- Apply silicone sealant (not included) around the cutout on the countertop surface.
- Carefully lower the sink (A) into the cutout in the countertop.
- Preassemble the clamps and screws (AA).
- From the underside - place the clamp (AA) in the center along each side and hand tighten to hold sink in place. Fasten the remaining clamps (AA) along the edges and space them approximately 3 in. from each end, and equally along the front, back and sides. For countertops thicker than 3/4 in., space them up to 1-1/2 in. apart.
- From the top - check the seal between the sink (A) edge and countertop. Adjust clamps (AA) if necessary.
- Lightly tighten clamps (AA) evenly with a screw driver until the sink is perfectly tight to the countertop. Do not over tighten.
- Wipe away any excess sealant with a rag.

