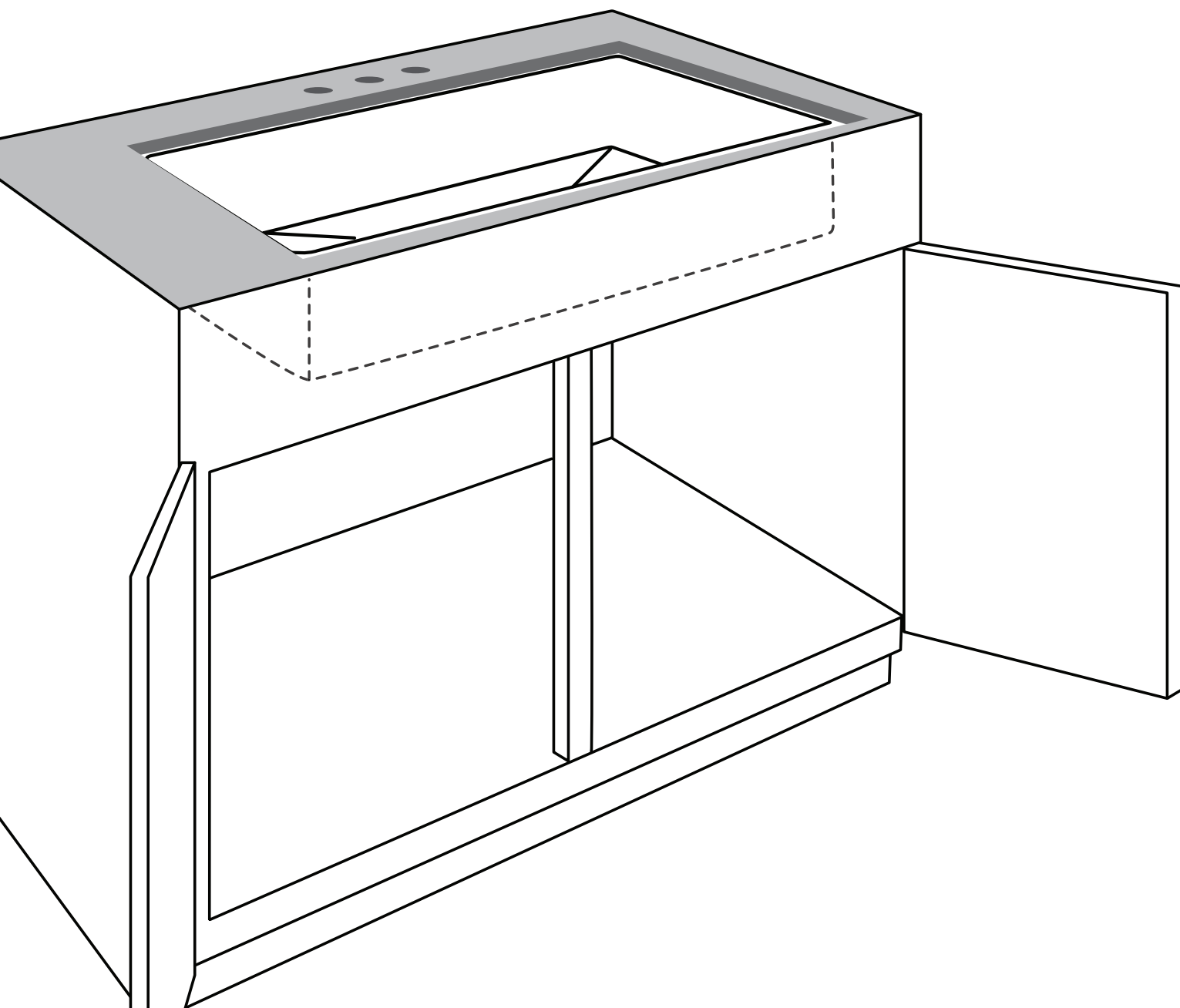


# ***IPT Sink Company***

**INSTALLATION INSTRUCTIONS  
UNDERMOUNT STAINLESS STEEL KITCHEN SINK**



**CAUTION:**

Risk of personal injury or product damage. Handle with care.  
Product can break, chip, cause injury or product damage.

**WARNING:**

This product can expose you to chemicals, including lead, which is known to the state of California to cause cancer and birth defects or other reproductive harm.

For more information go to [p65warnings.ca.gov](http://p65warnings.ca.gov)

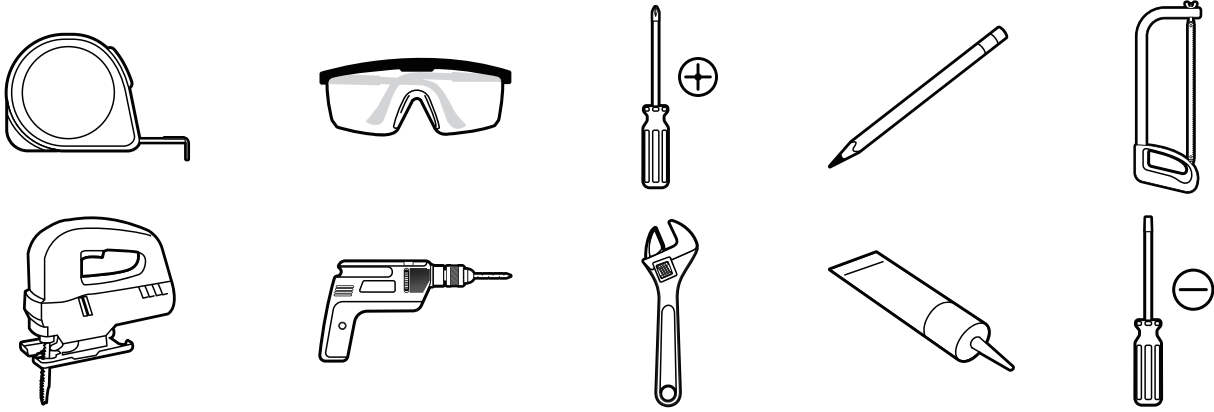
## IMPORTANT INFORMATION

- Read these instructions carefully before you begin this installation.
- Observe all applicable local plumbing and building codes.
- IPT Sink Company recommends all sinks are installed by experienced and professional installers. To ensure safety and damage-free installation, this sink should be installed by two people. IPT Sink Company reserves the right to revise the design of products without notice.

## BEFORE YOU BEGIN

- IPT Sink Company recommends that all undermount sinks be installed by an experienced, professional installer.
- **IMPORTANT:** *The enclosed cutout template will create a countertop opening with a minimal (1/8" or less) reveal. It is recommended that you discuss with your installer and agree that the finished appearance is the desired effect. IPT Sink Company is not responsible for improper sink or countertop installations.*
- **IMPORTANT:** *The cabinet must be installed, secured, plumb, and level. Failure of this step can lead to product damage.*
- IPT Sink Company undermount sinks should only be fastened to a solid surface countertop (i.e. granite, Corian® or Silestone®).
- IPT Sink Company is not responsible for sink or countertop if damaged during installation. Be sure to inspect the sink for damage prior to beginning installation.
- Metal edges may be sharp – use caution when handling.
- Follow all local plumbing and building codes.

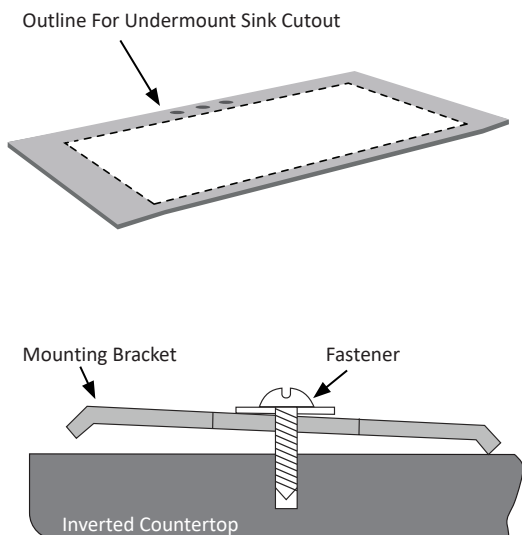
## RECOMMENDED TOOLS



- Tape Measure
- Safety Glasses
- Painter's Tape
- Level
- Ear Protection
- Hacksaw/Jigsaw
- Pencil (Not permanent marker)
- Shims or Cabinet Fillers
- Denatured Alcohol
- Clamps
- Construction Adhesive
- Silicone Adhesive Sealant
- Support Framing Material (1 ¼" (32mm) Max Thickness)
- Screws (recommended by countertop manufacturer)

## STAINLESS STEEL SINK UNDERMOUNT INSTALLATION INSTRUCTIONS

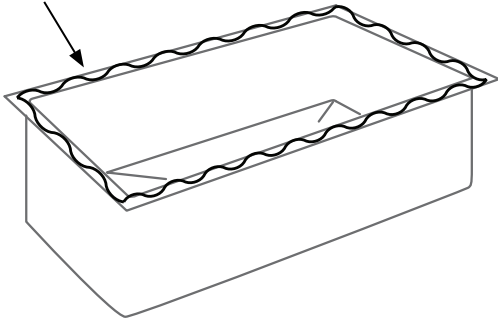
### STEP 1: COUNTERTOP PREPARATION



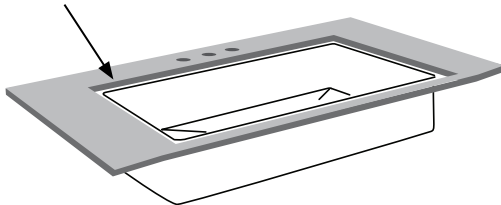
- Position the template (provided with your sink) front to rear so the sink will not interfere with the cabinet; secure with tape.
- Trace the template and remove. Dry fit the sink to verify the measurements.
- Following the countertop manufacturer's instructions, carefully cut the countertop on the inside of the traced line.
- Locate and drill the mounting holes, following the countertop manufacturer's instructions. Holes should allow even spacing of mounting brackets around the sink.
- With the countertop inverted (upside down), fasten the mounting brackets to the countertop loosely.
- **IMPORTANT:** The cabinet must be installed, secured, plumb, and level **BEFORE** installing the sink.
- **IMPORTANT:** IPT Sink Company undermount sinks should only be fastened to a solid surface countertop (i.e. granite, Corian® or Silestone®).

## STEP2: COUNTERTOP INSTALLATION

Apply Silicone Sealant After Cleaning The Sink Edge And Countertop



Verify Sink Is Centered Within The Countertop Opening Before Tightening Fasteners.



- Clean the bottom of the countertop and the top flange (or lip) of the sink with denatured alcohol.
- Apply a narrow bead of silicone adhesive sealant evenly all around the top of the sink flanges.
- Position and align the sink over the countertop opening. Press silicone onto countertop.
- Tighten fasteners until mounting brackets are snug against sink. Check alignment of sink to the countertop opening.
- Tighten down fasteners evenly. Be careful not to over-tighten.
- Immediately remove excess sealant.
- **IMPORTANT:** The enclosed cutout template will create a countertop opening with a minimal (1/8" or less) reveal. It is recommended that you discuss this with your installer and agree that this finished appearance is the desired effect. IPT Sink Company is not responsible for improper sink or countertop installations.
- **IMPORTANT:** IPT Sink Company is not responsible for sink or countertop if damaged during installation. Be sure to inspect the sink for damage prior to beginning installation.

## FINAL STEP

- Following all local plumbing and building codes, install the faucet according to the manufacturer's instructions.
- Connect the drain and piping.
- Run water into the sink and check all connections for leaks.